

OPERATING INSTRUCTIONS FOR RSD-50

Please be sure to note the following before you begin operating the machine.

1. Never put your hands in front of the blades while operating.
2. Always handle the sharpening device with caution. Even a small slip of the hand may lead to serious injury.
3. Be sure to unplug while not in use for safety.

TO START

1. Connect the electric cord plug (#105) of the machine to the power supply.
2. Hold the switch bar (#109) gently to start the machine. When you let go, the machine will automatically switch off.
3. Raise the finger guard (#117); insert the material to be cut between the upper and lower blades, and cutting will begin.

* Do not keep the switch bar depressed by taping or other means to ensure a long and good working condition.

* For safety and proper maintenance, always unplug the machine while not in use.

* Always keep the machine clean and free from remnants.

SHARPENING (GRINDING) THE BLADES

1. Pull the grinder assembly, push the switch bar to rotate the motor, and then gently press the push button (#118a) for 2-3 seconds. (Please repeat this operation several times if the blades are not well ground.)
2. After the grinding work is finished, raise the grinder assembly to its original position. (If the grind stone should get dirty, please wipe it clean.)

BLADE REPLACEMENT

If the diameter of the heptagonal blade (#113) should become smaller and not meet properly with the lower blade (#114), please replace the blades with new ones.

1. Make sure the electric cord (#105) is disconnected from the power source.
2. Using a screw driver, remove the lock screw from the upper blade by turning the driver to the left.
3. Pull out the blade and wipe off any dirt from the machine.

Follow these guidelines to replace the lower blade by removing the lock screw (#114).

BLADE ADJUSTMENT

Proper adjustment of the upper and lower blades is important for effective operation.

If necessary please adjust as follows:

1. Insert the small-sized minus screwdriver into (B) and loosen the adjustment screw (#114b) for the lower blade.
2. Tighten the lock screw (#113a) for the upper blade.
3. Adjust the lower blade screw (#114b) with the small-sized minus screwdriver. (See figure 1)

GRINDER ASSEMBLY REPLACEMENT

If the grinding stone should wear out and become shorter and touch the shaft, please replace it.

1. Turn the cap (#118a) to the left with your hand and the stone will come out easily.

CARBON BRUSH REPLACEMENT

If the motor does not turn over well when holding the switch bar, replace the carbon brushes.

Also, too much weaving of carbon brush will cause motor troubles. (Carbon Brush must be replaced when it wears less than 3mm.)

1. While the machine is unplugged, remove the outside cap (#110b) and the set screw (#110a) with Driver.
2. Replace the carbon brush with a new one. If the motor does not work well after the exchange, it is due to improperly set brushes. Repeat the replacement procedures again, carefully.

LUBRICATION AND MAINTENANCE

1. Remove the upper blades (#113) once a week and clean and brush off any dust or dirt on the back side of the blade. Then lubricate.
2. Every other week, inject a small amount of grease for the plastic gear into the hole (A) of the main housing unit. (See figure 1)
3. To reduce friction of the blades, add oil into the drill hole (C) of the felt pad 2 or 3 times a day and make sure the pad is kept damp. (See figure 1)

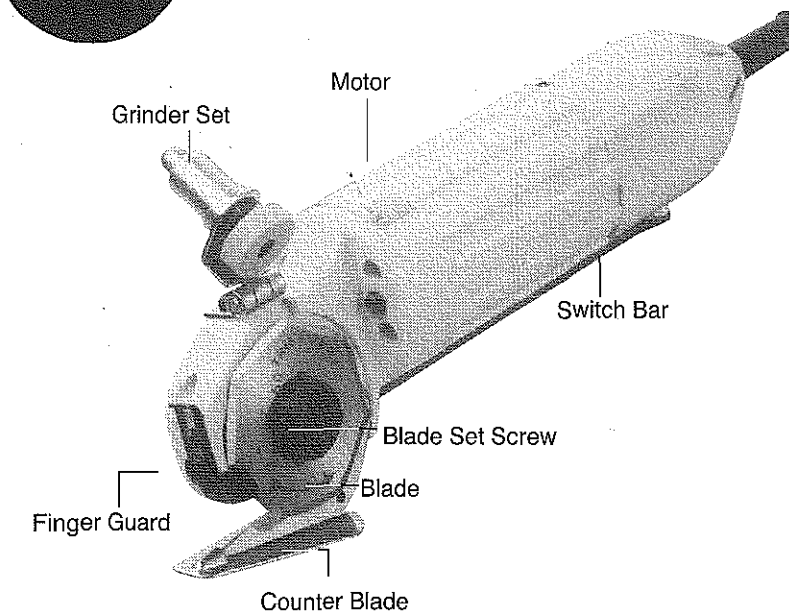
BIRDIE

MODEL RSD-50

INSTRUCTION BOOK AND PARTS LIST

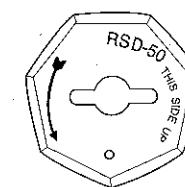
MODEL RSD-50

SPECIFICATION-OPERATION MANUA

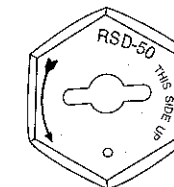


BLADES (3 TYPES)

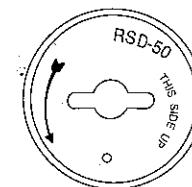
Heptagonal Blade (standard) Hexagonal Blade (option) Round Blade (option)



Standard Fabrics



Thick Fabrics



Extra-Thin Fabrics

SPECIFICATIONS

Cutting Capacity	6"
Blade Type	50% Heptagonal Blade(Hexagonal Round)
Electrical Input	A.C.100/115, A.C.220/240 50/60Hz, Single
Blading Power (Input)	40W (Short Time Rating)
Machine Size	Diameter of Grip - 47% Machine Total Length - 240%
Weight (Net)	600g (Excluding Electric Cord)

Specifications are subject to change without notice.

PARTS LIST

PARTS NO. NAMES OF PARTS

A-101	Main Housing	1
A-101a	Set Screws for Main Housing	2
A-101b	Washer for Main Housing	2
A-102	Motor Assembly	1
A-103	Angle for Switch	1
A-104	Rear Housing	1
A-104a	Set Screw for Rear Housing	2
A-105	Cord Complete with Plug	1
A-105a	Cord Sleeve	1
A-105b	Cord Bracket	1
A-105c	Set Screw for Cord Bracket	2
A-106	Rectifier	1
A-107	Condenser	1
A-108	Micro Switch	1
A-108a	Set Screw for Micro Switch	2
A-109	Switch Bar	1
A-109a	Switch Button	1
A-109b	Set Screw for Switch Button	1
A-110	Carbon Brush with Spring	2
A-110a	Screwed Cap for Carbon Brush	2
A-110b	Outside Cap for Carbon Brush	2
A-111	Worm Gear (Motor side)-Steel	1
A-111a	Roll Pin for Worm Gear	1
A-112	Worm Gear-Plastic	1
A-112a	Ball Bearing	2
A-112b	Trust Collar	1
A-112c	Hexagonal Nut	1
A-112d	Cover Plate	1
A-112e	Set Screw	2
A-113	Heptagonal Blade	1
A-113a	Blade Lock Screw with Tension	1
A-114	Counter Blade	1
A-114a	Set Screw for Counter Blade	1
A-114b	Adjusting Screw for Counter Blade	1
A-115	Sliding Base Plate	1
A-115a	Set Screw for Sliding Base Plate	1
A-116	Oil Felt	1
A-116a	Oil Felt Spring	1
A-117	Finger Guard	1
A-117a	Set Screw for Finger Guard	1
A-118	Grinder Assembly	1
A-118a	Pushing Knob for Grinder Assembly	1
A-118b	Screwed Cap for Grinder Assembly	1
A-119	Grinder Bracket	1
A-119a	Adjusting Angle for Grinder Bracket	1
A-119b	Set Screw for Grinder Bracket	1
A-120	Dust Proof Plate	1

PARTS ASSEMBLY & ACCESSORIES

